

ET COOL-EL Cooling Container



INSTRUCTIONS FOR USE

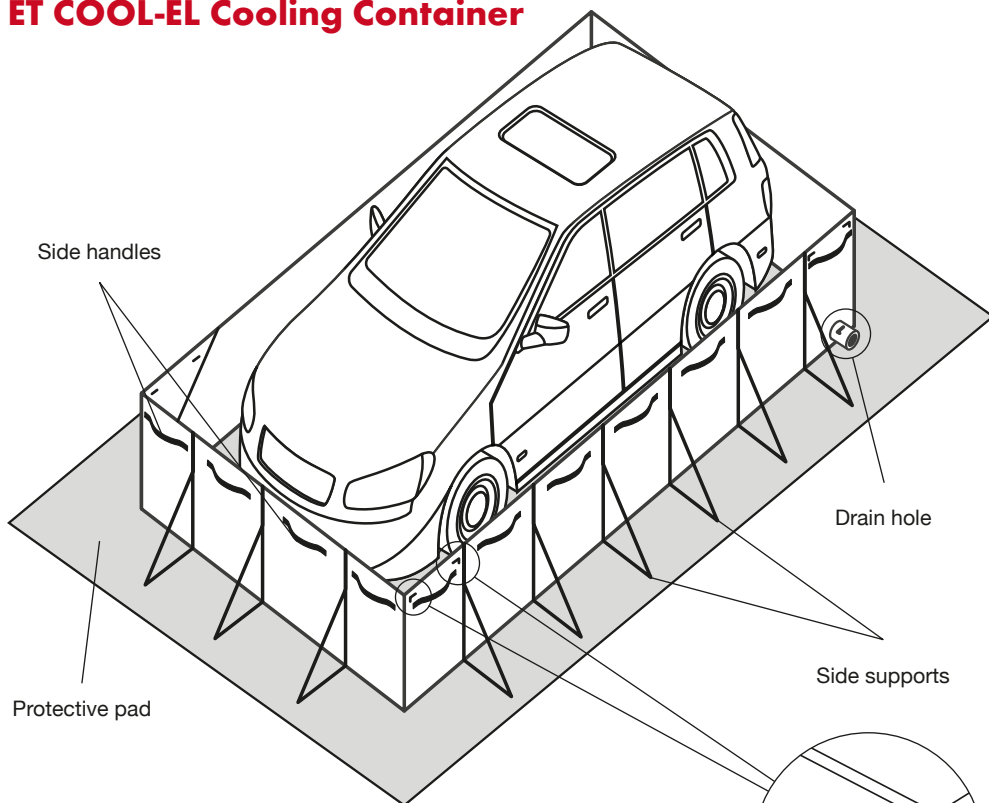
US



This document describes the operation and characteristics of the ET COOL-EL Cooling Container (hereinafter „container“). It contains important information about how to use the container properly and how to increase its reliability and life. This document must always be available in the place where the container is used. Keep it together with the container at all times. The operator is responsible for using the container safely and in compliance with the instructions in this manual, which applies to any third persons as well. If you have any doubts about the correct use of the container, please contact the manufacturer or an authorized dealer.

The foldable ET COOL-EL Cooling Container is, in its construction and dimensions, specially developed for quenching and cooling electric cars and hybrid cars by flooding them with water for the necessary time. Cooling the lower part of the car, where the traction batteries are located, reliably prevents the car's battery from re-igniting and causing another fire.

ET COOL-EL Cooling Container



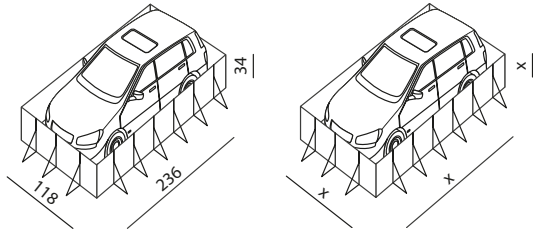
The delivery includes:

- 1× ET COOL-EL Cooling Container incl. side supports
- 1× Protective pad
- 1× Inner pad
- 1× Instructions for use, incl. warranty certificate
- + Optional accessories as per agreement



Hooks for securing sides of the container

Technical details



Type	ET COOL-EL	ET COOL-EL – individual
Dimensions	236 × 118 × 34 in	dimensions according to the customer's request
Volume	3804 gal	
Weight of a container (without metal vertical supports)	320 lb	
Vertical supports – weight (number of supports for the size of container)	7 lb/pc (18 pcs)	

General information



When using the containers, observe these instructions as well as all the safety notices herein.

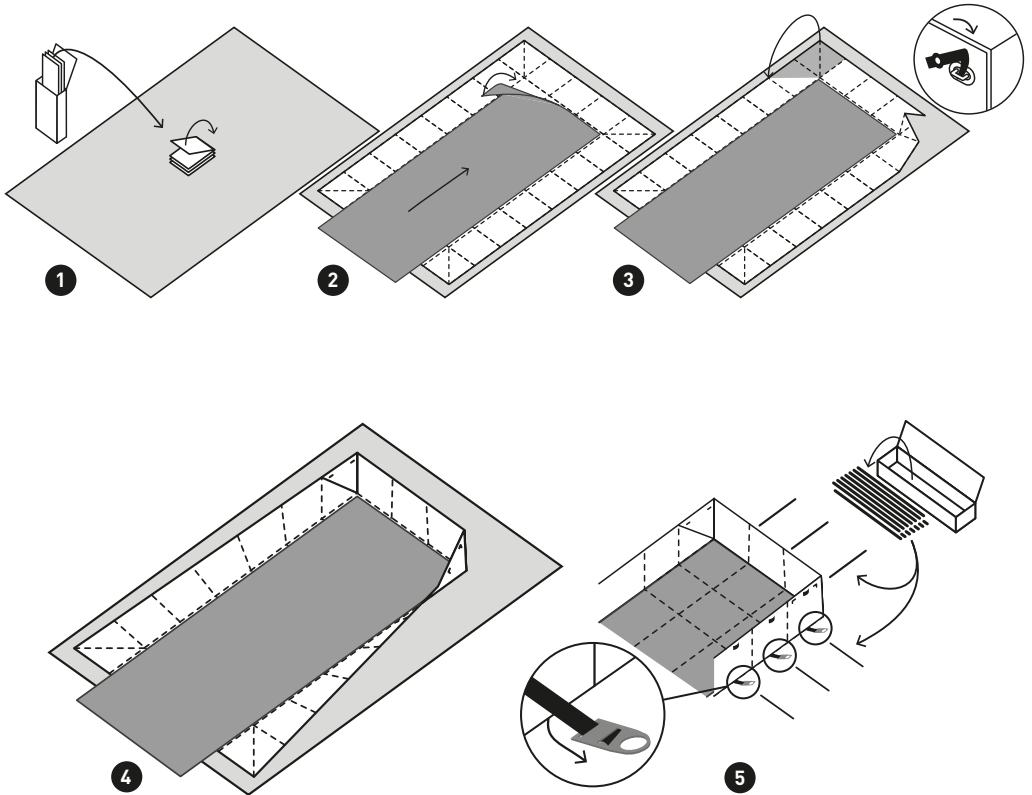
- Containers are designed as a quick solution for emergency situations. They are used exclusively for quenching and cooling electric cars and hybrid cars by flooding them with water for the necessary time.
- Containers are self-supporting, reinforced around the perimeter with collapsible side supports.
- The containers do not have welded corners, which allows to unfold and refold any of the sides for the possibility of simply and quickly pushing the damaged vehicle into the container space.
- The container can be laid out on a flat surface and conveniently washed.
- Containers are made of chemically resistant self-extinguishing material – PVC with a special surface treatment (PES/PVC 2 lb/10.7 ft²) – see Chemical resistance certificate, page 10.
- The temperature range of using the container is -22 °F to +158 °F.
- Containers are supplied in transport packaging as standard.
- When using the containers, it is necessary to use the supplied standard accessories: protective pad and an inner pad – page 8. Both significantly extend the durability and service life of the container.
- The container can be produced in a size according to the customer's wishes.
- The container can be equipped with a ball valve on request.

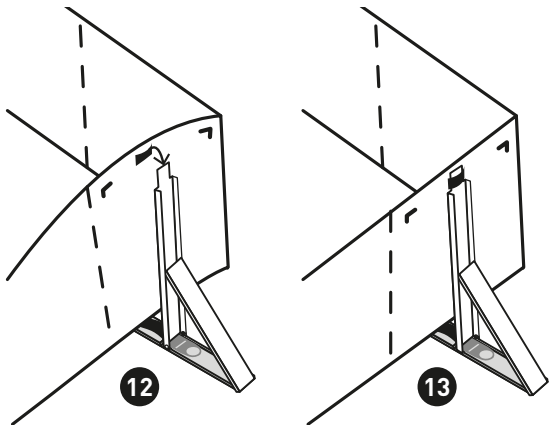
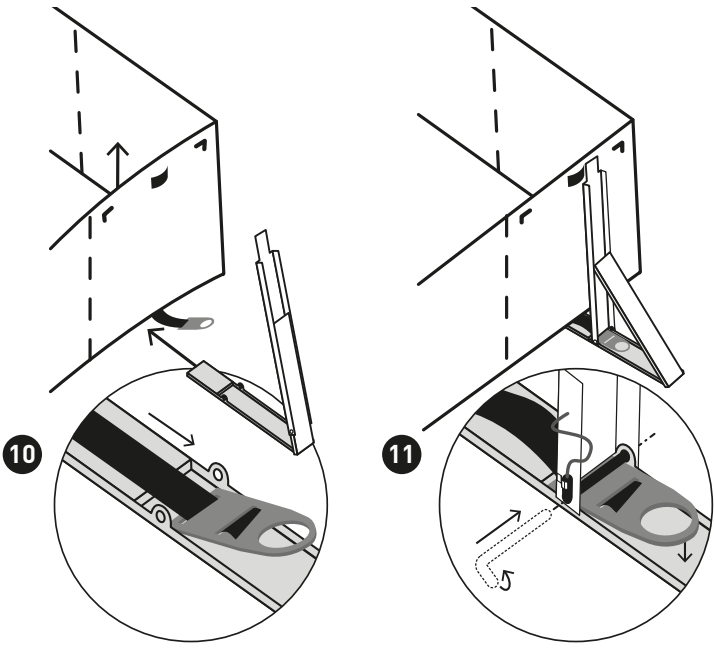
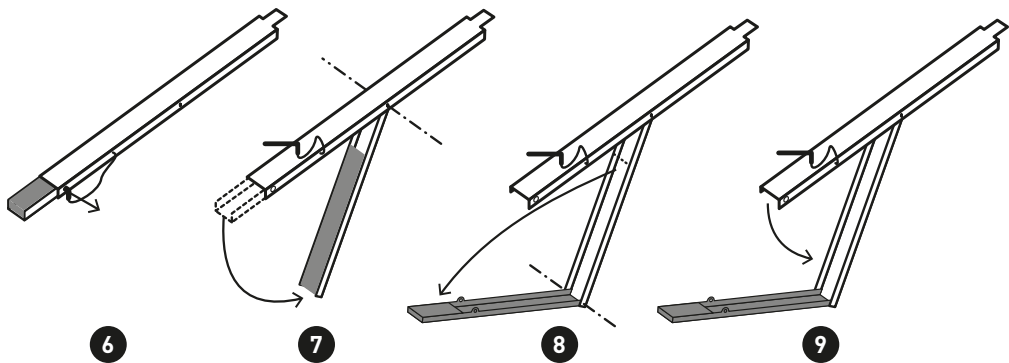
Instructions for assembling the container into the standby position

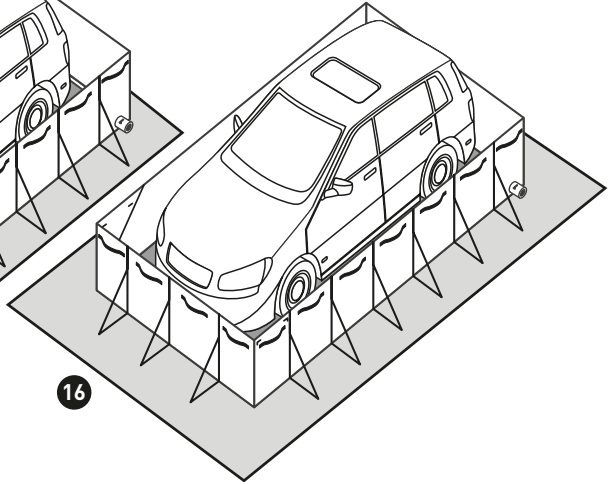
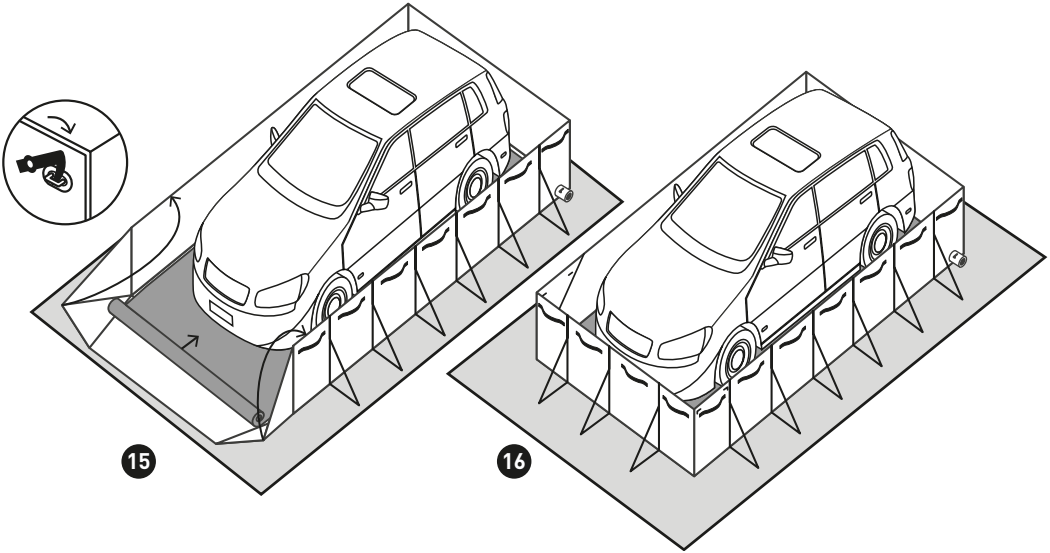
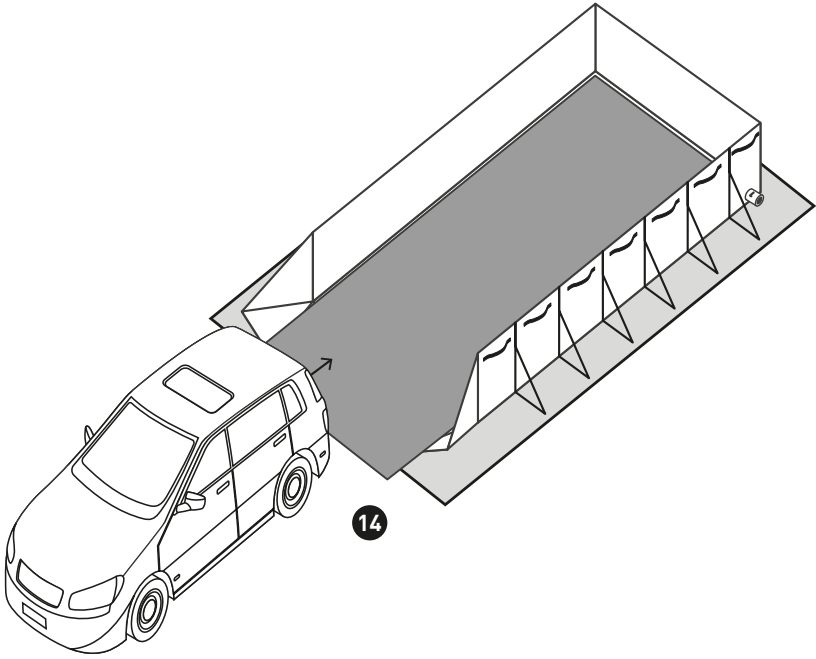


Remove the container, protective pad, inner pad and side supports from the transport packaging. Spread the protective pad on a flat surface. Spread the unfolded container on the pad. For the entire area on the bottom of the container, place the inner pad so that it extends over the short folded side of the container on one side. Choose the side of the container through which you will push the damaged car into the container space. Raise the sides and secure the corners with the yellow hooks to build the container. Leave the shorter side of the container with the overhanging inner pad open. The raised sides of the container must now be reinforced with side supports, which are anchored by means of black straps located under the bottom of the container and small black grips at the top of the container. The lower black straps must be hooked into the lower part of the supports and the upper part of the support must be secured to the handle at the upper edge of the container – see the illustrated instructions below. This step will strengthen the structure of the container. The container is thus prepared for pushing the damaged electric car into the container space. After placing the car into the container, build the last side of the container – secure the side with yellow hooks and place the side supports.

Illustrated instructions for assembling a collapsible container ET COOL-EL

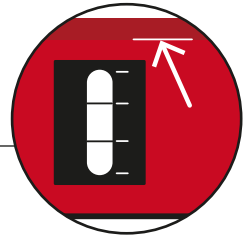






Handling instructions and safety warnings

1. If possible, place the collapsible container on a flat surface.
2. Make sure there are no sharp objects under the container, such as pieces of broken glass, nails, sharp stones, etc., which might mechanically damage its bottom.
3. Do not put the product near fire or any other sources of heat.
4. The temperature range of using the container is -22 °F to +158 °F.
5. The containers are resistant to a large number of different liquids and loose materials (see the Chemical resistance certificate, p. 10).
6. Fill the container up only to the upper weld of the reinforcement.
7. Do not move or pull an empty or a filled container on the ground – the manufacturer's warranty does not cover mechanical damage.
8. Side handles located around the container are used to move the container.
9. After each use it is necessary to wash the container thoroughly, clean it with suitable detergents and let it dry completely.
10. Observe the safety measures for working with hazardous liquids and with substances harmful to the environment.
11. Make sure you observe any necessary precautions regarding personal safety, such as the use of protective equipment.



Recommended accessories

We supply the following standard accessories for the ET COOL-EL collapsible container. As an optional accessory for an additional fee, we offer a ball valve for the container.

Name	ET COOL-EL	ET COOL-EL – individual
Standard accessories		
Transport bag	yes (4.4 lb)	yes
Protective pad under the container	342 × 224 in (75 lb)	yes
Inner pad	386 × 118 in (67 lb)	yes
Drain hole	yes	yes
Overall dimensions of the package (container, side supports, pads) for the specified container size – without pallet		
Overall dimensions of the package (container, side supports, pads) for the specified container size – without pallet	43 × 39 × 34 in	
Overall weight of the package (container, side supports, pads) for the specified container size – without pallet		
Overall weight of the package (container, side supports, pads) for the specified container size – without pallet	591 lb	
Optional accessories at extra cost		
Ball valve C52/B75/other	yes	yes

Maintenance and storage

After the draining and prescribed environment-friendly disposal of the collected substance, the product must be washed with proper neutralization detergent (in the case of aggressive substances) and lukewarm water or another suitable detergent. We recommend storing the containers folded in the carrying bag so that they are not damaged while not in use. The container must be dried thoroughly before it is put into the bag. For long-term storage, place the container in a dry place out of the reach of UV radiation.

Important contact information

Qualified service:

ECCOTARP USA, inc.
357 West 36th Street
New York, NY 10018
USA

info@eccofighter.com

T: 1 929-272-2336

Repair

Any repair work on the container must always be done by the manufacturer's qualified personnel. In the event of unprofessional repair or design change, the product's proper operation cannot be guaranteed. If you want to request repair, order accessories or lodge a complaint, please, contact your qualified supplier.

Warranty conditions

The warranty period is indicated in the warranty certificate on the last page of these Instructions for use. The warranty period is 24 months and begins on the day indicated in the warranty certificate. The warranty does not apply to the normal wear and tear or to damage caused by improper use or by the instructions in this manual not being observed.

Warning – the warranty does not cover damage from long-term exposure to chemicals. This can also occur after the product is improperly cleaned after intervention. Even a small amount of aggressive chemicals will cause degradation of the material from which it is made during long-term exposure. This can be manifested by microscopic cracks on the surface, or by a change in the properties of the material, which can lead to easy damage and tearing.

Disposal

The product must be disposed of in compliance with applicable legal regulations and with the user's internal directives.

Chemical resistance certificate

Applicable to all types of Collapsible Spill Berms, Tanks, Funnels, Drip trays and Protective Liners.

Resistance levels:

- A) resistant
- B) resistant for at least 3 hours
- C) non-resistant

Name of substance	Chemical formula	Resistance level at the temperature of 68 °F	Resistance level at the temperature of 140 °F
LIQUID SUBSTANCES			
Acetone	CH ₃ COCH ₃	C	C
Acetonitrile	CH ₃ CN	A	A
Ammonia	NH ₃	A	A
Benzene	C ₆ H ₆	B	B
Tar	mixture	C	C
Dimethyl-formamide	C ₃ H ₇ NO	A	A
Ethanol	C ₂ H ₅ OH	B	B
Ethylene glycol	C ₂ H ₆ O ₂	B	B
Ethyl acetate	C ₄ H ₈ O ₂	C	C
Ethylbenzene	C ₈ H ₁₀	A	A
Formaldehyde	CH ₂ O	B	B
Chlorine	Cl	C	C
Chloroform	CHCl ₃	C	C
Transformer oil		A	A
Gear oil		B	B
SAE 40 oil		A	A
Lubricating oil		A	A
Silicone oil		A	A
Turpentine distillates		B	B
Hydrochloric acid	HCl	B	B
Nitric acid	HNO ₃	B	B
Phosphoric acid	H ₃ PO ₄	A	B
Formic acid	HCOOH	B	B
Acetic acid	CH ₃ COOH	A	B
Sulphuric acid	H ₂ SO ₄	A	B
Sulphurous acid	H ₂ SO ₃	A	B
Isopropyl alcohol	C ₃ H ₈ O	B	B
Methanol	CH ₃ OH	B	B
Methylene chloride	CH ₂ Cl ₂	C	C
Sodium chloride solution 20%	NaCl	A	A
Mercury	Hg	A	A

Name of substance	Chemical formula	Resistance level at the temperature of 68 °F	Resistance level at the temperature of 140 °F
Hydrogen sulphide	H ₂ S	A	B
Styrene	C ₈ H ₈	A	A
Pentane	C ₅ H ₁₂	A	A
Toluene	C ₆ H ₅ CH ₃	C	C
Salt water		A	A
Water	H ₂ O	A	A
Hydrogen peroxide	H ₂ O ₂	A	A
Kerosene	C ₉ -C ₁₆	C	C
SOLID SUBSTANCES			
Ammonium acetate	CH ₃ COONH ₄	A	A
Borax	Na ₂ [B ₄ O ₅ (OH) ₄]-8H ₂ O	A	A
Sugar	mixture	A	A
Potassium cyanide	KCN	A	A
Ammonium nitrate	NH ₄ NO ₃	A	A
Calcium nitrate	Ca(NO ₃) ₂	A	A
Phenol	C ₆ H ₅ OH	B	B
Ammonium phosphate	(NH ₄) ₃ PO ₄	A	A
Potassium nitrate	KNO ₃	A	A
Potassium	KOH	A	A
Sodium hydroxide	NaOH	A	A
Ammonium chloride	NH ₄ Cl	A	A
OPERATING FLUIDS			
Gas		B	B
Diesel fuel		B	B
Motor oil		B	B
Methyl tert-butyl ether (MTBE)	C ₅ H ₁₂ O	B	B
Hydraulic oils		B	B

Notice:

Ecotarp collapsible products are compatible to varying degrees with the substances listed above.

However, given the almost unlimited number of potential combinations of chemicals plus the influence of factors such as concentration and temperature, this list does not claim to be definitive and is only intended for informative purposes in predicting the behaviour of the chemicals concerned.

Compatibility with the listed substances cannot be entirely guaranteed. Neither the manufacturer nor the distributor provides any warranty, nor do they accept any responsibility for resultant damage.

For a reliable estimate of the level of resistance to a specific substance, we recommend you to test small samples using miniature laboratory funnels which can be provided upon request by the manufacturer.

Notes

Warranty Certificate



This product is guaranteed for 24 months.

This warranty covers:

for defects caused by a manufacturing defect of the material used, in particular a leak at the welds, a defect in the fittings and any other damage, not caused by demonstrable mishandling by the user or any modification of the product.

This warranty does not cover:

damages caused by improper handling and use of the product and failure to follow the "user manual". For example, punctures or other damage caused by placing the product in an inappropriate area with sharp objects, use or placing the product near open flames, and other inappropriate uses.

Warning – the warranty does not cover damage from long-term exposure to chemicals. This can also occur after the product is improperly cleaned after intervention. Even a small amount of aggressive chemicals will cause degradation of the material from which it is made during long-term exposure. This can be manifested by microscopic cracks on the surface, or by a change in the properties of the material, which can lead to easy damage and tearing.

The manufacturer is not liable for direct or indirect damage caused by other than the recommended use of the product.

Complaints must be applied within 24 months of purchase from your supplier. When applying please provide your complaint with full details – product serial number, proof of purchase, appropriate photographic documentation and a detailed description of the circumstances in which a fault has occurred.

Product name:

.....

Production code:

.....

Stamp and signature:

.....

Date of sale:

.....

In case of problems, please contact:

.....

Failure description:

.....

.....